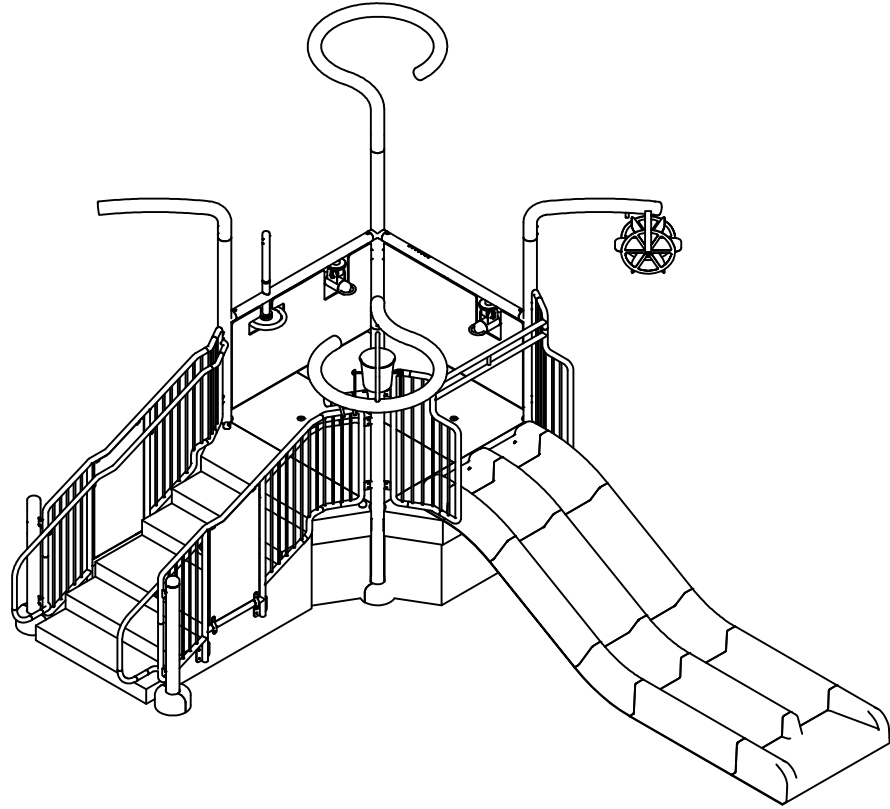
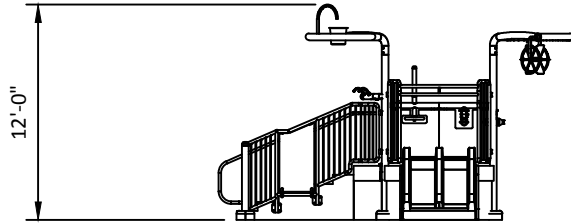


SPLASH ZONE



QTY	FEATURES	GPM
4	ARM & OVERHEAD	120
5	RAIL	135
2	DECK FEATURES	34
2	GROUND	90

QTY	WATERSLIDES	GPM
1	SLIDE A - DUAL RACER HEIGHT 3' - LENGTH 15'	40

PLAY UNIT INFORMATION	SQFT
DECK AREA	86
TOP DECK HEIGHT - 3'	
SPLASH ZONE AREA	675

FEATURE: 75ST OPTION A

DESCRIPTION: STANDARD AQUATIC PLAY UNIT CUT SHEET

© 2015 - SplashTacular. All Rights Reserved • The drawings, designs, and content contained herein are the exclusive property of SplashTacular, and may not be reproduced, distributed, or promulgated without the written consent of SplashTacular, or its authorized representative.

DATE: 6/1/2015
DRAWN BY: BCM

REVISION: R0
SHEET: 1 : 1

SPLASHTACULAR®
WaterSlides and Waterpark Attractions
102 West Kaskaskia Street, Suite 201 • Paola, Kansas 66071
P 800.844.5334 • F 913.294.2496